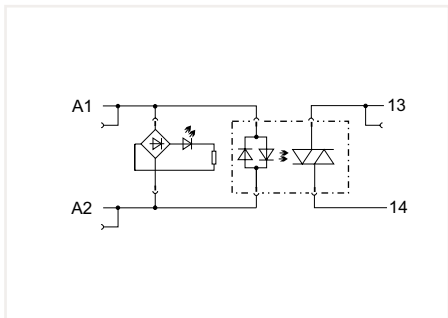
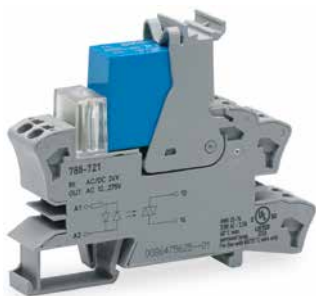
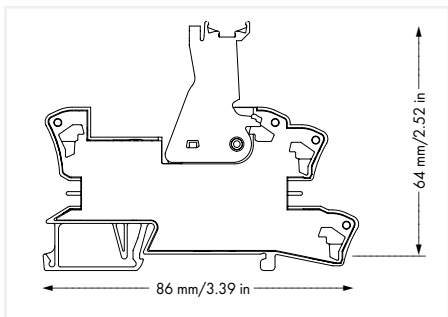


# Solid-State Relay Module 788 Series

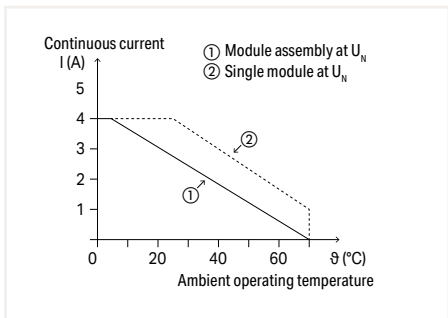


Solid-State Relay Module; Output voltage range: 12 ... 275 VAC; Limiting continuous current: 4 A; 2-wire connection; Zero-voltage switching; Status indicator: red; 15 mm wide

$U_N$	$I_N$	Item No.	Pack. Unit
24 VAC/DC	10 mA	788-721	10



**Note:**  
A separator plate (e.g., 209-191) must be used for voltages greater than 250 V between adjacent relay modules and for compliance with the reinforced insulation requirements.



Current-Carrying Capacity Curve

### Control Circuit

Input voltage range (low level)	0 ... 2.5 VAC/DC
Input voltage range (high level)	15 ... 30 VAC/DC

### Load Circuit

Circuit type	2-wire connection; zero-voltage switching
Limiting continuous current	4 A
Output voltage range	12 ... 275 VAC (50/60 Hz)
Voltage drop (output) max.	≤ 1.1 VAC
Turn-on time	≤ 10 ms
Turn-off time	≤ 10 ms

### Signaling

Status indicator	Red LED
------------------	---------

### Safety and Protection

Pollution degree	2
Dielectric strength, control/load circuit (AC, 1 min)	4 kV <sub>rms</sub>
Protection type	IP20

### Connection Data

Connection technology	Push-in CAGE CLAMP®
Solid conductor	0.34 ... 2.5 mm <sup>2</sup> / 22 ... 14 AWG
Fine-stranded conductor	0.34 ... 2.5 mm <sup>2</sup> / 22 ... 14 AWG
Strip Length	9 ... 10 mm / 0.35 ... 0.39 inch

### Physical Data

Width	15 mm / 0.591 inch
Height from upper-edge of DIN-rail	64 mm / 2.52 inch
Depth	86 mm / 3.386 inch

### Mechanical Data

Mounting type	DIN-35 rail
---------------	-------------

### Material Data

Weight	49.4 g
--------	--------

### Environmental Requirements

Surrounding air temperature (operation at $U_N$ )	-20 ... +70 °C
Surrounding air temperature (storage)	-40 ... +70 °C
Processing temperature	-25 ... +50 °C

### Standards and Specifications

Standards/specifications	EN 61000-6-2; EN 61000-6-3; EN 61373; EN 61010-2-201; UL 508 (max. 40 °C/2.5 A)
--------------------------	---

2